



THE
ULTIMATE
OUTBOARD MOTOR

2023 SUZUKI OUTBOARD MOTORS

GENERAL CATALOGUE



SUZUKI CLEAN OCEAN PROJECT

As the world's ULTIMATE OUTBOARD MOTOR brand, Suzuki always remains focused on providing the ultimate marine experience, which requires a healthy and clean marine environment. Since 2011, we have been voluntarily conducting the "Clean-Up the World Campaign" every year to contribute to a better marine environment and more than 10,000 people have participated. In Japan, the campaign has been officially recognized by the Ministry of the Environment in the "Plastic Smart Campaign".

To continue to make our utmost effort for environmental protection, it is now time for us to review how we have been contributing to the environment and society and newly determine our direction. As well as continuing our worldwide clean-up campaign, we will also commit to take responsible actions against plastic waste problems. This is how we came to make the new Slogan and Logo, "SUZUKI CLEAN OCEAN PROJECT", to show the world our commitment.

Our Commitment

1. Clean-Up the World Campaign
2. Reduce Plastic Packaging
3. Collect Marine Micro-Plastic Waste



We believe the actions Team Suzuki takes around the world will be one positive step forward to a cleaner marine environment.

CONTENTS

4-5	SUZUKI CLEAN OCEAN PROJECT
6-11	SUZUKI ULTIMATE TECHNOLOGY
12-13	NEW DF350AMD / DF300BMD
14-15	Suzuki's Drive By Wire Series & FishHunter™ Drive
16-17	V6 350-300HP Flagship-GEKI Series DF350AMD/DF350A/DF325A/DF300BMD/DF300B
18-19	V6 300-200HP DF300AP/DF250AP DF250/DF225/DF200
20-21	IN-LINE 4 200-150HP DF200AP/DF175AP/DF150AP DF200A/DF175A/DF150A
22-23	IN-LINE 4 140-70HP DF140BG/DF115BG DF140B/DF115B/DF100C,DF100B/DF90A/DF80A/DF70A
24-25	IN-LINE 3 60-25HP DF60AV/DF50AV DF60A/DF50A/DF40A DF30A/DF25A
26-27	PORTABLE 20-2.5HP DF20A/DF15A/DF9.9B DF9.9A/DF8A DF6A/DF5A/DF4A DF2.5
28-29	Cargo Series V6 DF250/DF225/DF200,DF250W,DF90AWQH
30	Integrated Control System "SYNCRO-EYE"
31-34	ACCESSORIES
35	ECSTAR OIL
36-37	HISTORY
38-43	FEATURES & SPECIFICATIONS

SUZUKI CLEAN

OCEAN PROJECT

1. CLEAN-UP THE WORLD CAMPAIGN



More than 10,000 people from 53 Suzuki distributors participated in this activity.
*As of December 2021.



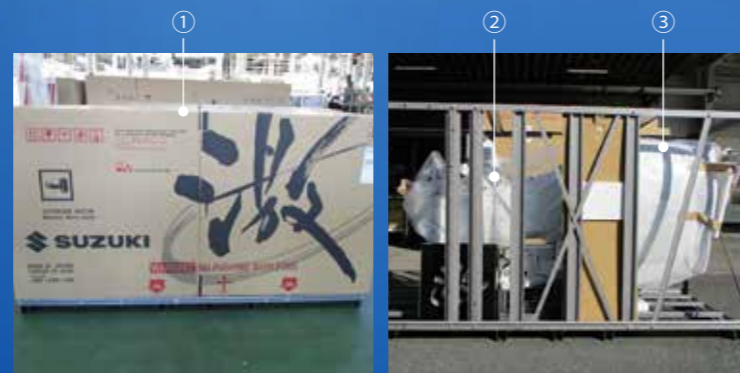
2. REDUCE PLASTIC PACKAGING

In order to avoid to produce additional plastics, we have been replacing the plastic packaging of outboards and marine genuine parts to eco-conscious materials.

Packaging for Suzuki marine genuine parts



■ Oct.2020 – Sep.2022 : Reduced **11.8t.**
Replacing the plastic packaging to Paper.



■ Sep.2021 – Sep.2022 : Reduced **11.2t.**

- ① Outer Carton Fixing (Polyethylene → Paper)
- ② Body Cover (Polyethylene → Biodegradable Material)
- ③ Engine Cover (Nylon → Rayon)

3. COLLECT MARINE MICRO-PLASTIC WASTE

How can Suzuki use its products to reduce marine micro-plastic waste? Are there any ways to tackle the problem without sacrificing the performance of the engine nor harming the environment? As a solution to this challenge, we came up with an idea which is the Micro-Plastic Collecting Device(MPC).



STANDARD EQUIPMENT FROM JULY 2022 PRODUCTION. (FROM 23 MODEL YEAR)

FEATURES

- Easy maintenance the filter.
- This device will not affect the performance of the engine even if the filter gets clogged since It is designed the bypass in case of the over flow.



Now it is time to deliver the MPC to you! From the production in July, MPC is equipped to DF140BG/115BG, DF140B/115B/100C on standard. We believe our small actions will be a big movement to change the serious situation of marine environment. We await your support through the participation in clean-up the world campaign and the use of MPC.

In order to clean the ocean, the Suzuki Marine Team will promote "SUZUKI CLEAN OCEAN PROJECT" together with partners and boat users all around the world.

LEADING THE INDUSTRY WITH AWARD WINNING TECHNOLOGIES AND DESIGNS,
SUZUKI OUTBOARDS PROVIDE FEATURES AND BENEFITS THAT MAKE BOATING EVEN MORE ENJOYABLE.

THE
ULTIMATE
OUTBOARD MOTOR

Durability & Reliability	Performance	Ease & Comfort	Ecology & Economy
<ul style="list-style-type: none"> Durable Notify user before engine trouble Easy to service, repair 	<ul style="list-style-type: none"> Smooth and quick acceleration at all operating ranges Powerful torque 	<ul style="list-style-type: none"> Less vibration Quiet operation Light & Compact Easy to use Smooth and Decisive shifting 	<ul style="list-style-type: none"> Good fuel efficiency / low-emission Low maintenance cost Environment protection activities
DUAL LOUVER WATER DETECTING SYSTEM SELF-ADJUSTING TIMING CHAIN TILT LIMIT ANTI CORROSION DUAL WATER INLET KEYLESS START SYSTEM SUB WATER INLET SDSM+	OFFSET DRIVESHAFT DUAL PROP MULTI-STAGE INDUCTION GEAR RATIO HIGH ENERGY ROTATION VARIABLE VALVE TIMING DIRECT INTAKE	SELECTIVE ROTATION NOISE REDUCTION PRECISION CONTROL THREE-WAY STORAGE OVERHEAD TANK TROLL MODE GAS ASSIST EASY START SYSTEM AUTOMATIC TRIM INTEGRATED STEERING SYSTEM	LEAN BURN DUAL INJECTOR LESS BATTERY-LESS FUEL INJECTION MPC

NMMA Award

The Innovation Awards (recognizing technological innovation) granted each year by the NMMA (National Marine Manufacturers Association) are considered among the highest honors in marine technology. Of the new marine industry products in that year, they are awarded to "a product that shows technical leadership, is practical and cost-effective, and is truly beneficial to the consumer." Starting with the DT200 Exanté in 1987 and extending to the DF350A in 2017, Suzuki outboard motors have received this Innovation Award a total of nine times. Eight of these awards are for 4-stroke outboard motors.



Awarded Prizes

1987: DT200 Exanté / 1997: DF70 & DF60 /
1998: DF50 & DF40 / 2003: DF250 /
2006: DF300 / 2011: DF50A & DF40A / 2012: DF300AP /
2014: DF30A & DF25A / 2017: DF350A

Durability & Reliability



SUZUKI DUAL LOUVER SYSTEM

▶DF350AMD/300BMD ▶DF350A/325A/300B

Dog-leg shaped dual louver at the air intake remove water from the air taken into the cowl.

ADVANTAGE

- Prevents water intrusion.
- Allows a direct intake system, contributing to higher engine output.



SELF-ADJUSTING TIMING CHAIN

▶DF40A AND UP

The timing chain running in an oil-bath can be adjusted automatically by an automatic hydraulic tensioner.

ADVANTAGE

- More durable than the belt type.
- Maintenance-free.



DUAL WATER INLET

▶DF350AMD/300BMD ▶DF350A/325A/300B
▶DF300AP/250AP ▶DF250W

The engine's cooling system relies on water supplied through two water inlets located on the lower unit.

ADVANTAGE

- Increases the water flow, providing better cooling performance.



DF350AMD



WATER DETECTING SYSTEM

▶DF70A AND UP

A water detecting fuel filter prevents water intrusion. When water is detected, the system will alert the driver with visual and audio warnings.

ADVANTAGE

- Prevents lower power output and corrosion by avoiding water intrusion.



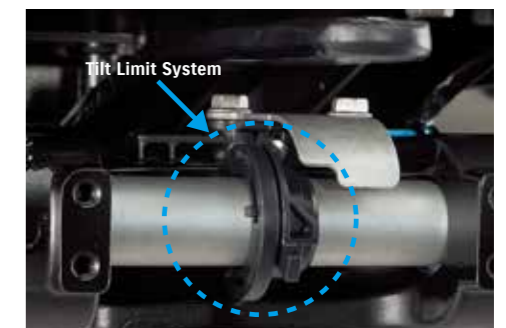
TILT LIMIT SYSTEM

▶DF50AV AND UP
(not including DF90AWQH, DF60AQH, DF50A/40A)

Tilt Limit System prevents the outboard from tilting beyond a selected angle.

ADVANTAGE

- Prevents damage to the boat or outboard due to excessive outboard tilting.



DF200A



SUB WATER INLET

OPTIONAL: ▶DF140BG/115BG ▶DF140B/115B/100C
▶DF90AWQH
STANDARD: ▶DF60A/50A/40A

Two water inlets in different directions ensure that the engine does not overheat due to the clogging of algae.



KEYLESS START SYSTEM

OPTIONAL: ▶DF350AMD/300BMD ▶DF350A/325A/300B
▶DF300AP/250AP ▶DF200AP/175AP/150AP
▶DF200A/175A/150A ▶DF140BG/115BG
▶DF140B/115B/100C ▶DF100B/90A/80A/70A

This system allows you to start multiple engines by placing key-fob nearby.

- One push Start & Stop for up to 6 outboard motors.
- Waterproof Float Key Fob.
- Security support with immobilizer.

ADVANTAGE

- Provides high security.
- No ignition key is necessary.



SUZUKI ANTI-CORROSION FINISH

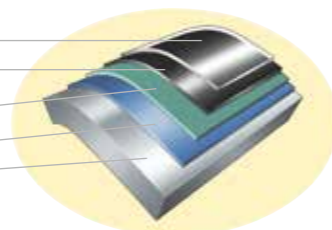
▶ALL MODELS

Special protection is applied to the aluminum surface using high strength bonding to protect the aluminum made exterior parts.

ADVANTAGE

- Protection against corrosion improves the overall outboard durability.

Resin Clear Topcoat
Resin Black(or White)
Basecoat
Primer Undercoat
Suzuki Anti-Corrosion Finish
Suzuki Aluminium Alloy



NEW SDSM+ (SUZUKI DIAGNOSTIC SYSTEM MOBILE+)

▶DF9.9B AND UP*

This app enables you to make a plan for boating with the weather forecast and check the engine condition & operation tips for the next boating. All functions are available for free.* Please check the details in P.31 or on our website.



*SMD/SMG4 and a smartphone running Android/iOS are required.

ADVANTAGE

- Possible to make a plan for boat trip with checking the weather forecast in advance.
- Check up on the engines before the departure based on the engine data.
- Acquire the engine data by scanning the QR code*.
- Provide the engine data to dealer and ask for maintenance easily.

*DENSO WAVE owns the rights of the name and the logo of QR code.



HIGH ENERGY ROTATION

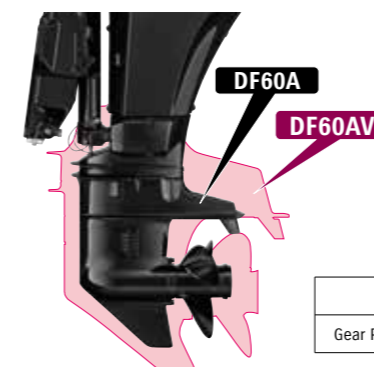
▶DF60AV/50AV

Larger lower units (2.42 gear ratio) make it possible to equip larger 36cm (14-inch) propeller than other models in this class. It owns good acceleration and large power.

ADVANTAGE

- Powerful torque to carry heavy loads.
- Quick acceleration with larger propellers.
- Quick and smooth planing.

DF60AV vs. DF60A size comparison



	DF60AV	DF60A
Gear Ratio	2.42	2.27



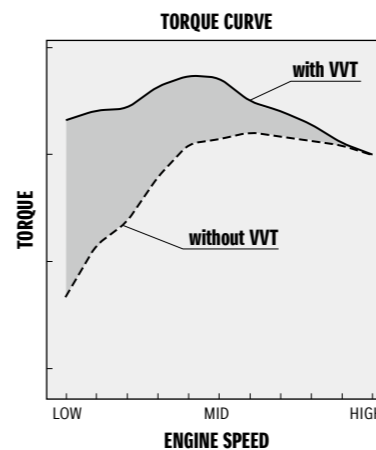
VVT (Variable Valve Timing)

▶DF350AMD/300BMD ▶DF350A/325A/300B
▶DF300AP/250AP ▶DF250 ▶DF250W
▶DF200AP/175AP/150AP ▶DF200A/175A

The Variable Valve Timing controls the opening and closing timing of the intake valve depending on the engine RPM.

ADVANTAGE

- Offers smooth, powerful torque.
- Provide smooth acceleration over all speed ranges.



MULTI-STAGE INDUCTION

▶DF250/225 ▶DF200AP/175AP/150AP
▶DF200A/175A/150A ▶DF250W

Manifold pipes are switched between short and long during low speed and high speed operation to ensure the right volume of air enters the engine.

ADVANTAGE

- Increases output during high speed operation with greater volume of air input.
- Increases combustion efficiency and maximizes torque during low speed operation.

AIR FLOW IN MULTI-STAGE INDUCTION MODULE



DIRECT AIR INTAKE

▶DF350AMD/300BMD ▶DF350A/325A/300B

A direct airflow path from the intake port to the cylinder suppresses temperature rise of the air and improves combustion efficiency.

ADVANTAGE

- Delivers higher power output from a small displacement.



SUZUKI DUAL PROP SYSTEM

▶DF350AMD/300BMD ▶DF350A/325A/300B

The Suzuki Dual Prop System spins two propellers rotating in opposite directions on a single engine. With the 6 blades, it can make a good stroke efficiently.

ADVANTAGE

- Achieve superior stability when driving straight.
- Powerful reverse thrust and braking force.
- Good water gripping performance and quick startup acceleration.

Performance



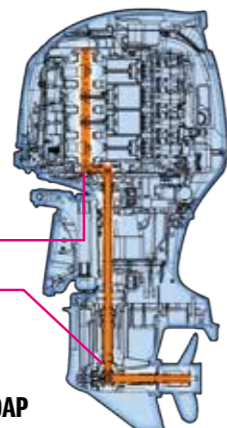
OFFSET DRIVESHAFT

▶DF70A AND UP

The engine powerhead is positioned closer to the front, moving the outboard's center of gravity forward.

ADVANTAGE

- Less vibration.
- More compact.
- Stable steering performance.



1st Stage Reduction : 30:36=1.20
2nd Stage Reduction : 12:25=2.08

Total : 2.50:1
DF200AP



2-STAGE GEAR REDUCTION

▶DF70A AND UP

This design makes a larger gear ratio possible, allowing it to turn a large diameter propeller.

ADVANTAGE

- Increased power to turn large diameter propellers, offering quick acceleration.
- High propulsive efficiency with large diameter propeller.
- Powerful navigation, maintaining propeller rotation even with a larger load.

GEAR RATIO IN EACH CLASS

MODEL	DF140BG/115BG DF140B/115B/100C DF100B/90A/80A/70A DF90AWQH	DF200A(AP)/ 175A(AP)/150A(AP)	DF250/ 225/200	DF300AP/ 250AP DF250W	DF350AMD/ 300BMD DF350A/ 325A/300B
GEAR RATIO	2.59:1	2.50:1	2.29:1	2.08:1	2.29:1

Ease & Comfort



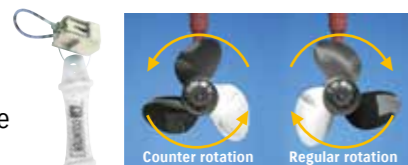
SUZUKI SELECTIVE ROTATION

▶DF300AP/250AP ▶DF200AP/175AP/150AP

Function for selecting regular or counter rotation on one outboard with an optional connector and a counter rotation propeller.

ADVANTAGE

- Either regular or counter rotation can be used on the same outboard.



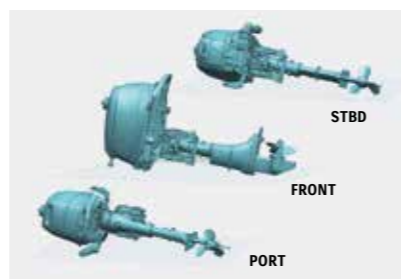
THREE-WAY STORAGE

▶DF6A/5A/4A

The design allows the outboard to be removed from the boat and placed on any of its 3 sides for storage.

ADVANTAGE

- No need to worry about the loading space or method.



SUZUKI PRECISION CONTROL (Electronic Throttle and Shift Systems)

▶DF350AMD/300BMD ▶DF350A/325A/300B ▶DF300AP/250AP ▶DF200AP/175AP/150AP ▶DF140BG/115BG

Operation from the remote control is delivered to the outboard via an electric signal and it enables the 1 lever operation for up to 6 outboard motors (for dual mount only).

ADVANTAGE

- Less friction and resistance compared to the mechanical ones.
- Easy control for multiple outboard motors.
- Improved fuel economy with the combination of Lean Burn Control System.



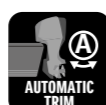
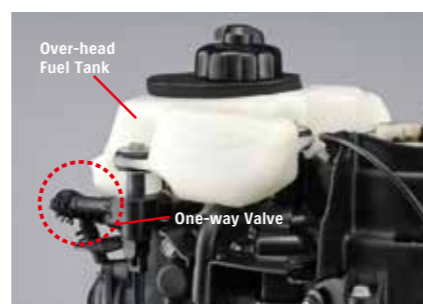
OVERHEAD TANK

▶DF6A/5A/4A

The integral overhead fuel tank and one-way valve delivers fuel supply by using gravity.

ADVANTAGE

- Contributes to easy start.



AUTOMATIC TRIM

OPTIONAL: ▶DF350AMD/300BMD ▶DF350A/325A/300B ▶DF300AP/250AP ▶DF200AP/175AP/150AP ▶DF200A/175A/150A ▶DF140BG/115BG ▶DF140B/115B/100C

The Automatic Trim adjust trim angle automatically depending on the engine RPM without your control.

ADVANTAGE :

- Helps to keep the appropriate trim angle and contribute to achieve faster top speed and better fuel efficiency.

*Available with SMD / SMG4



SUZUKI TROLL MODE SYSTEM*

▶DF40A AND UP
Optional for Remote Control Models
(not including DF250/225/200, DF250W, DF90AWQH)

This system helps the boat running at a certain speed range in low RPM.

ADVANTAGE

- Boat can keep running at a certain speed range in low revs without having to operate the throttle on the boat.
- Gives you highly precise control at low RPM.

*Available with SMD, SMG4, or Troll Mode Switch Panel



GAS ASSIST SYSTEM

▶DF90AWQH ▶DF60AQH/40AQH ▶DF30AQH

Enables the outboard motor to be tilted up or down quickly with minimal force.

Ecology & Economy



BATTERY-LESS ELECTRONIC FUEL INJECTION

▶DF30A/25A ▶DF20A/15A/9.9B

This technology delivers quicker start, smoother operation, and more acceleration without a battery.

ADVANTAGE :

- Operates without battery.
- Quick and easy start.
- Cleaner and economic fuel consumption.
- Higher and smoother performance in almost all operating ranges.



DUAL INJECTOR

▶DF350AMD/300BMD ▶DF350A/325A/300B

The dual injector delivers just the right amount of fuel at the right time into each cylinder.

ADVANTAGE :

- Contributes to higher output and better fuel efficiency.



SUZUKI EASY START SYSTEM

▶DF40A AND UP (not including DF250/225/200, DF250W)

Simply turn the key and release, and the starter stays engaged until the engine starts. This system offers a smoother start of the engine.



NEW Integrated Steering System

▶DF350AMD/300BMD

The conventional external hydraulic cylinder is built into the outboard motor.

ADVANTAGE

- Simple appearance of the motorwell when rigging.
- Allows rigging to various types of boats.
- Easy rigging.



LEAN BURN CONTROL SYSTEM

LEAN BURN

▶DF9.9B AND UP
(not including DF250/225/200, DF250W, DF90AWQH)

The Lean Burn Control System supplies the appropriate amount of fuel and air mixture depending on the navigation conditions.

ADVANTAGE :

- Significant improvement in fuel economy in all speed ranges especially at cruising speed.
- Fuel is saved and gasoline costs are cut.



NEW Micro-Plastic Collecting Device

▶DF140BG/115BG ▶DF140B/115B/100C

As one of the actions in SUZUKI CLEAN OCEAN PROJECT, we developed the device to collect micro-plastics in the oceans just by running SUZUKI's outboard motors.

ADVANTAGE :

- Collect micro-plastics through your outboard motors.
- Not sacrificing the engine performance.

NEW DF350AMD / DF300BMD

- Suzuki's First Integrated Steering System
- Advanced New Gear Case
- Available in 20 inch(L), 25inch(X) and 30inch(XX) transom height.

Integrated Steering System

- Simple appearance of the motorwell when rigging.
- Allows rigging to various types of boats.

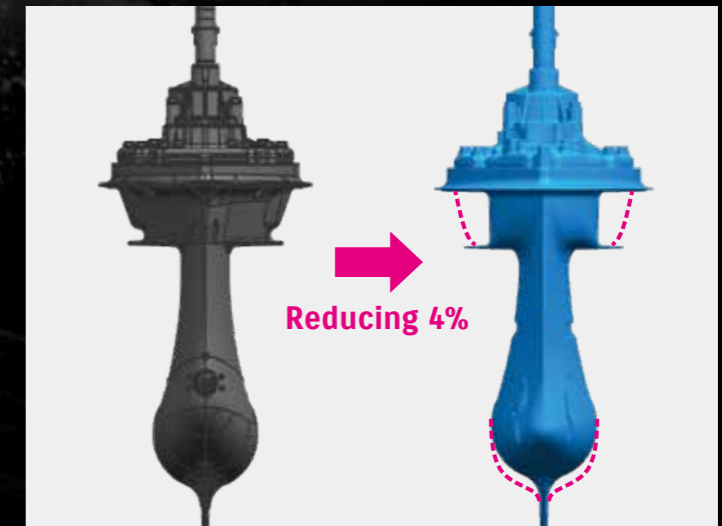
There is no need to worry about interference between the external cylinder and the boat.



Advanced New Gear Case

- Top Speed is increased more than 2%* by reducing 4% of the frontal projected area.

*The data is based on "In-House Suzuki Testing" under uniform conditions. Results will vary depending upon operating conditions (boat design, size, weight, weather, etc).



Conventional Gear Case vs Advanced New Gear Case

Advanced New Gear Case	Faster : 2% or more
Conventional Gear Case	

- Enhanced Durability & Reliability by lowering the gear oil temperature.
- The amount of gear oil was reduced from 3.2ℓ to 2.8ℓ.
- Available to change the gear oil by using the oil changer without lifting the boat.
- Compatible with conventional models.



Suzuki's Drive By Wire Series

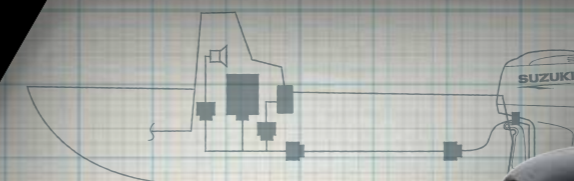
THE ULTIMATE OUTBOARD MOTOR

Taking your boating experience to a new level for your ULTIMATE marine life

Drive By Wire (Suzuki Precision Control : S.P.C) is a technologically advanced computer-based control system with electronic wiring that eliminates the source of friction and resistance. While you enjoy smooth throttle and shift operation, the system's computer is processing and transmitting commands in real-time to actuators at the engine that deliver precise throttle controls with smoother, decisive shifting.



Smooth Shift Operation



Easy Rigging

Luxury Remote Control



Remote Control Box
Dual Top Mount

Fuel Efficient



Exclusive Option



NAVpilot
NAVpilot-300

FURUNO

NEW FishHunter™ Drive

FishHunter™ Drive delivers all-new control features for boaters utilizing Suzuki outboard models driven by the Furuno NAVpilot-300 Autopilot. These new features offer enhanced autopilot controls for precision navigation of routes and advanced fishing features for anglers while jigging, or trolling.

Applicable Models : All SPC models (DF350AMD/300BMD, DF350A/325A/300B, DF300AP/250AP, DF200AP/175AP/DF150AP, DF140BG/115BG)



Speed Control

The boat will maintain a preset speed by adjusting engine RPM.



Point Lock™

Allows the vessel to easily keep a fixed position by controlling the steering and shift, canceling the effects of wind and current.



Route Smoothing™

Automatically controls the speed at waypoints for smooth turns while navigating a designated route. On approach to the final waypoint, the boat will slow down and activate Point Lock™ automatically to hold on the destination.



SABIKI™ Lock

Expands upon the NAVpilot-300's SABIKI™ function by controlling both the steering and throttle to maintain stern direction, freeing the angler to focus 100% on jigging and other vertical fishing.

SPECIFICATIONS / FEATURES P38 P39

V6 350-300HP Flagship-GEKI Series

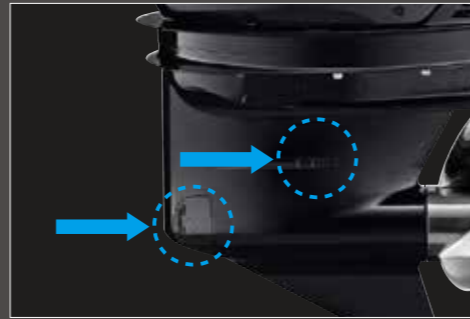
◆ Drive By Wire DF350AMD / DF300BMD, DF350A / DF325A / DF300B

THE ULTIMATE OUTBOARD MOTOR



SUZUKI DUAL LOUVER SYSTEM P7

Dual Louver system is equipped at the air intake to remove water from the air taken into the cowl. Incorporating a direct intake system makes the highest compression ratio of 12.0:1 (DF350AMD, DF350A), 10.5:1 (DF300BMD, DF325A/300B) possible, ultimately leading to a higher engine output.



DUAL WATER INLET P7

The engine's cooling system relies on water supplied through low water intakes located on the lower unit. This dual water inlet configuration increases water flow into the lower unit, delivering greater cooling efficiency.



SUZUKI DUAL PROP SYSTEM P9

The dual prop system efficiently transmits the horsepower output into propulsion under water. As an added benefit, because each propeller rotates in a different direction, exceptional stability is achieved. In addition, the contra-rotating propellers produce a strong reverse thrust.



DUAL INJECTOR P11

Dual injectors deliver just the right amount of fuel at just the right time into the cylinder. This dual injector contributes to higher output and better fuel efficiency.



DF350AMD

DF350A

NEW DF350AMD/DF300BMD

DF350A/DF325A/DF300B

DRIVE BY WIRE



GEKI: PARTING SEAS

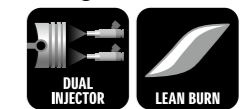
A Force to Match the Power of Nature and the Sea Representing Suzuki's Identity and Heritage. A Symbol of Our Passion and Commitment to the Ultimate in Marine Innovation.

* "GEKI: PARTING SEAS" is the logo that represents the DF350AMD/DF300BMD, DF350A/DF325A/DF300B

Durability & Reliability



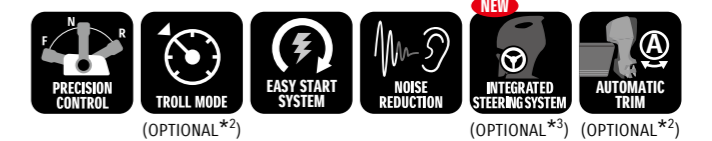
Ecology & Economy



Performance



Ease & Comfort



*1 Available with SMD or SMG4

*2 Available with SMD, SMG4, or Troll Mode Switch Panel

*3 DF350AMD/300BMD

SPECIFICATIONS / FEATURES P38

V6 300-200HP

- ◆ Drive By Wire DF300AP / DF250AP
- ◆ Mechanical DF250 / DF225 / DF200

THE
ULTIMATE
OUTBOARD MOTOR



Increased Alternator Output at Low Speed

Ideal for today's power-hungry fishing boats that spend a lot of time trolling

Applicable models : All V6 models (from 21 model year)

ADVANTAGE

- Increased alternator output at idle and low speed.
- Enables the use of more electric pumps, equipment.

At Idling Speed (650rpm)	23A → 33A	143%
At 1,000rpm	38A → 43A	113%



DF300AP
DF250AP
DRIVE BY WIRE



DF250
DF225 / DF200
MECHANICAL

STANDARD FEATURES

Durability & Reliability

- ANTI CORROSION (ALL MODELS)
- SELF-ADJUSTING TIMING CHAIN (ALL MODELS)
- WATER DETECTING SYSTEM (ALL MODELS)
- TILT LIMIT (ALL MODELS)
- SDSM+ (OPTIONAL*1) (ALL MODELS)

Performance

- 2.29 GEAR RATIO (DF250, DF225, DF200)
- 2.08 GEAR RATIO (DF300AP, DF250AP)
- OFFSET DRIVESHAFT (ALL MODELS)
- VVT VARIABLE VALVE TIMING (DF300AP, DF250AP, DF250)
- MULTI-STAGE INDUCTION (DF250, DF225)

ADDITIONAL FEATURES FOR DRIVE BY WIRE MODEL

Durability & Reliability

- DUAL WATER INLET (DF300AP, DF250AP)
- KEYLESS START SYSTEM (OPTIONAL) (DF300AP, DF250AP)

Ease & Comfort

- SELECTIVE ROTATION (DF300AP, DF250AP)
- PRECISION CONTROL (DF300AP, DF250AP)
- TROLL MODE (OPTIONAL*2) (DF300AP, DF250AP)
- EASY START SYSTEM (DF300AP, DF250AP)
- AUTOMATIC TRIM (OPTIONAL*2) (DF300AP, DF250AP)

Ecology & Economy

- LEAN BURN (DF300AP, DF250AP)

*1 Available with SMD or SMG4

*2 Available with SMD, SMG4, or Troll Mode Switch Panel

SPECIFICATIONS / FEATURES P38

IN-LINE 4 200-150HP

- ◆ Drive By Wire DF200AP / DF175AP / DF150AP
- ◆ Mechanical DF200A / DF175A / DF150A

THE
ULTIMATE
OUTBOARD MOTOR



DF200AP
DF175AP / DF150AP
DRIVE BY WIRE

DF200A
DF175A / DF150A
MECHANICAL

NEW SUZUKI PRECISION CONTROL (S.P.C.)

FEATURES

Operation from the remote control is delivered to the outboard via an electric signal and it enables the 1 lever operation for up to 6 outboard motors (for dual mount only).



SUZUKI SELECTIVE ROTATION

P10



Function for selecting standard or counter rotation on one outboard with an optional connector.

Noise Reduction

P10

Intake noise is suppressed with a resonator, which reduces sound levels and improves the boating experience.

STANDARD FEATURES

Durability & Reliability

ALL MODELS	ALL MODELS	ALL MODELS	ALL MODELS	(OPTIONAL)*1 ALL MODELS	(OPTIONAL) ALL MODELS

Performance

ALL MODELS	ALL MODELS	ALL MODELS	Not including DF150A

Ease & Comfort

ALL MODELS	(OPTIONAL)*2 ALL MODELS		(OPTIONAL)*2 ALL MODELS

Ecology & Economy

ALL MODELS

ADDITIONAL FEATURES FOR DRIVE BY WIRE MODEL

Ease & Comfort

DF200AP DF175AP DF150AP	DF200AP DF175AP DF150AP

*1 Available with SMD or SMG4 *2 Available with SMD, SMG4, or Troll Mode Switch Panel

SPECIFICATIONS / FEATURES P39

IN-LINE 4 140-70HP

◆ Drive By Wire DF140BG / DF115BG

◆ Mechanical DF140B / DF115B / DF100C, DF100B / DF90A / DF80A / DF70A

THE
ULTIMATE
OUTBOARD MOTOR



DF140BG
DF115BG

DRIVE BY WIRE

with MPC



DF140B
DF115B
DF100C*

NEW

MECHANICAL

with MPC

*Black color model only



DF100B

DF90A / DF80A / DF70A

MECHANICAL

■ Tiller handle model available (For 90HP & 70HP)

DF100C

For customers who have heavy boats and need more torque & power
(e.g. Large size boat / Commercial Boat)

DF100B

For customers who use light weight boats and need quick acceleration
(e.g. Compact size boat / Inflatable Boat)

DF100C vs. DF100B

	DF100C	DF100B
Displacement(cm ³)	2,045	1,502
Weight(kg)	L : 188	L : 157
Gear Ratio	2.59 : 1	

2-STAGE GEAR REDUCTION

P8

This design makes a lower gear ratio possible, allowing it to turn a larger diameter high pitch propeller.

MULTI-FUNCTION TILLER HANDLE

P34



Suzuki's ergonomically designed tiller handle provides comfortable operation of the outboard with the left or right hand.

MAINTENANCE KITS

P34



Suzuki provides Maintenance Kits for speedy and reliable service. Each Kit comes with all the periodic maintenance parts necessary for each model.

Please ask your local Suzuki dealer for the contents of each kit and applicable models.

STANDARD FEATURES

Durability & Reliability

- ANTI CORROSION** ALL MODELS
- SELF-ADJUSTING TIMING CHAIN** ALL MODELS
- WATER DETECTING SYSTEM** ALL MODELS
- TILT LIMIT** ALL MODELS
- SDSM+** (OPTIONAL*) ALL MODELS
- SUB WATER INLET** (OPTIONAL) DF140BG/DF115BG
- KEYLESS START SYSTEM** (OPTIONAL) ALL MODELS

Ease & Comfort

- TROLL MODE** (OPTIONAL*) REMOTE CONTROL MODELS (STANDARD) TILLER HANDLE MODELS
- EASY START SYSTEM** ALL MODELS
- NOISE REDUCTION** DF140BG/DF115BG, DF140B/DF115B, DF100C
- AUTOMATIC TRIM** (OPTIONAL*) DF140BG/115BG, DF140B/115B/100C
- OFFSET DRIVESHAFT** ALL MODELS
- GEAR RATIO** ALL MODELS
- LEAN BUR** ALL MODELS
- MPC** (NEW) DF140BG/DF115BG, DF140B/DF115B, DF100C

ADDITIONAL FEATURES FOR DRIVE BY WIRE MODEL

Ease & Comfort

- PRECISION CONTROL** DF140BG, DF115BG

*1 Available with SMD or SMG4

*2 Available with SMD, SMG4, or Troll Mode Switch Panel

SPECIFICATIONS / FEATURES P39 P40

Flagship-GENI SERIES
V6 300-200HP
IN-LINE 4 200-150HP
IN-LINE 4 140-70HP
IN-LINE 3 60-25HP
PORTABLE 20-2.5HP
CARGO SERIES

IN-LINE 3 60-25HP

DF60AV / DF50AV
DF60A / DF50A / DF40A
DF30A / DF25A

THE
ULTIMATE
OUTBOARD MOTOR



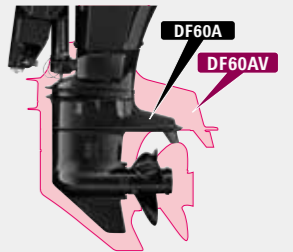
HIGH ENERGY ROTATION

These outboards are equipped with gears designed with a 2.42 gear ratio, which is larger than the standard model, in their lower units. When combined with a large 36cm (14-inch) propeller, the powerful system can deliver powerful thrust. This is ideal for heavy boats.

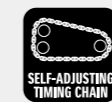
ADVANTAGE

- Powerful propulsion and precise maneuvering even with heavy loads.
- Superior power to turn large diameter propellers.

DF60AV vs. DF60A size comparison



	DF60AV	DF60A
Gear Ratio	2.42	2.27



SELF-ADJUSTING TIMING CHAIN

The timing chain running in an oil-bath can be adjusted automatically by an automatic hydraulic tensioner.

ADVANTAGE

- More durable than the belt type.
- Maintenance-free.



BATTERY-LESS Electric Fuel Injection

P11

This technology delivers quicker start, smoother operation, and strong acceleration without a battery.

TROLL MODE + SMG4

P33



Allows you to control your troll mode from the Multi-Function Gauge.



STANDARD FEATURES

Durability & Reliability



ALL MODELS
ALL MODELS (not including Gas Assist models & DF50A/40A)
ALL MODELS (OPTIONAL*¹)
ALL MODELS
DF60A
DF50A
DF40A

Performance

Ease & Comfort

Ecology & Economy



DF60AV
DF50AV
(OPTIONAL*²)
REMOTE CONTROL MODELS (STANDARD)
TILLER HANDLE MODELS
ALL MODELS

DF60AV

DF50AV

HIGH ENERGY ROTATION

■ Tiller handle model available

DF60A

DF50A / DF40A

■ Tiller handle model & gas assist model available

*1 Available with SMD or SMG4

*2 Available with SMD, SMG4, or Troll Mode Switch Panel



STANDARD FEATURES

Durability & Reliability



(OPTIONAL*¹)
ALL MODELS

Ecology & Economy



DF30A

DF25A

BATTERY-LESS EFI

■ Gas assist model available
■ Remote Control model available

*1 Available with SMD or SMG4

SPECIFICATIONS / FEATURES **P41**

Flagship-GENI SERIES
V6 300-200HP
IN-LINE 4 200-150HP
IN-LINE 4 140-70HP
IN-LINE 3 60-25HP
PORTABLE 20-2.5HP
CARGO SERIES

PORTABLE 20-2.5HP

DF20A / DF15A / DF9.9B
 DF9.9A / DF8A
 DF6A / DF5A / DF4A
 DF2.5



THE
ULTIMATE
 OUTBOARD MOTOR



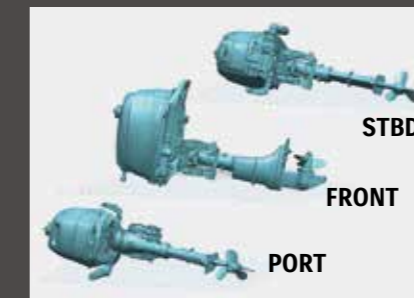
OVERHEAD TANK

P10

The integral overhead fuel tank and one-way valve delivers fuel supply using gravity.

THREE-WAY STORAGE

P10



The design allows the outboard to be removed from the boat and placed on any of its 3 sides for storage.



DF20A

DF15A / DF9.9B

BATTERY-LESS EFI

■ Remote control model available

DF9.9A

DF8A

DF6A

DF5A / DF4A

THREE-WAY STORAGE

DF2.5

STANDARD FEATURES

Durability & Reliability



ANTI CORROSION

ALL MODELS



SDSM+

(OPTIONAL *1)

DF20A
 DF15A
 DF9.9B

Ease & Comfort



THREE-WAY STORAGE

DF6A
 DF5A
 DF4A



OVERHEAD TANK

DF6A
 DF5A
 DF4A

Ecology & Economy



LEAN BURN

DF20A
 DF15A
 DF9.9B



BATTERY-LESS FUEL INJECTION

LESS
 DF20A
 DF15A
 DF9.9B

*1 Available with SMD or SMG4

SPECIFICATIONS / FEATURES **P42**

Flagship-GEKI SERIES
 V6 300-200HP
 IN-LINE 4 200-150HP
 IN-LINE 4 140-70HP
 IN-LINE 3 60-25HP
 PORTABLE 20-2.5HP
 CARGO SERIES

FOR COMMERCIAL USERS
Cargo Series

V6 DF250/DF225/DF200, DF250W, DF90AWQH



THE
ULTIMATE
OUTBOARD MOTOR

Model Series that meets the demand of the Commercial Market

- Suzuki's commercial series
- Each model designed to fit the needs of commercial users
- Red stripe on side
- "Cargo" decal on back



Strengthened features for heavy duty use*

- Chromium plated water pump inner wall
- Fluorine coated rubber materials for the fuel system (e.g. Vapor separator)
- Fuel injection system made specifically for heavy duty use

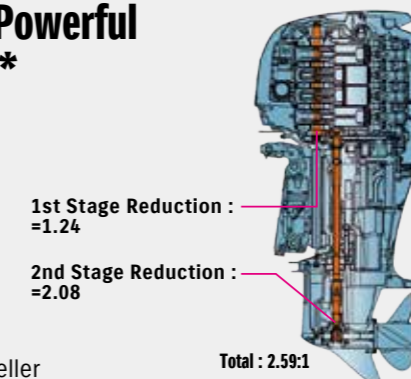
The Technology Behind Powerful Suzuki Outboard Motors*

OFFSET DRIVESHAFT

- Less vibration
- More compact
- Stable steering performance

2-STAGE GEAR REDUCTION

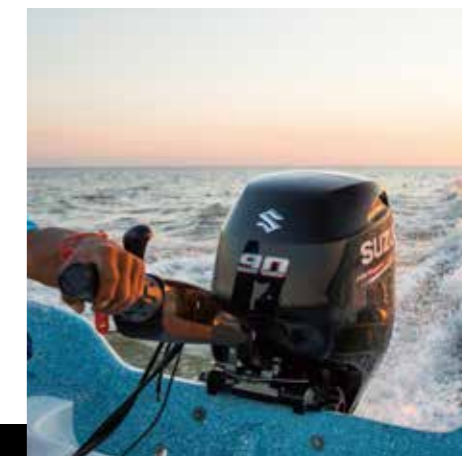
- High Torque
- Powerful enough to use larger propeller
- Maintain power even with large loads



GEAR RATIO IN EACH CLASS

MODEL	V6 DF250/225/200	DF250W	DF90AWQH
GEAR RATIO	2.29:1	2.08:1	2.59:1

*Applicable to all Cargo Series models.



DF250
DF225 / DF200

For General Commercial Use

- DURABILITY & RELIABILITY
- HIGH TORQUE



DF250W

For Commercial Transport Business

- DURABILITY & RELIABILITY - STRENGTHENED GEAR
- HIGH TORQUE



DF90AWQH
For Commercial Fishing

- DURABILITY & RELIABILITY
- HIGH TORQUE
- EASY HANDLING
- BATTERY CHARGEABLE AT IDLE SPEED



STANDARD FEATURES

Durability & Reliability

SELF-ADJUSTING TIMING CHAIN ALL MODELS	WATER DETECTING SYSTEM ALL MODELS	TILT LIMIT ALL MODELS	DUAL WATER INLET DF250W	SDSM+ (OPTIONAL*1) ALL MODELS	ANTI CORROSION ALL MODELS
---	--------------------------------------	--------------------------	----------------------------	-------------------------------------	------------------------------

Performance

OFFSET DRIVESHAFT ALL MODELS	2.29 GEAR RATIO DF250 DF200	2.08 GEAR RATIO DF250W	VVT VARIABLE VALVE TIMING DF250W DF250	MULTI-STAGE INDUCTION DF250 DF225
---------------------------------	--------------------------------------	------------------------------	---	---

STANDARD FEATURES

Durability & Reliability

WATER DETECTING SYSTEM	ANTI CORROSION	SUB WATER INLET (OPTIONAL)	SDSM+ (OPTIONAL*1)	SELF-ADJUSTING TIMING CHAIN
------------------------	----------------	-------------------------------	-----------------------	-----------------------------

Performance

OFFSET DRIVESHAFT	2.59 GEAR RATIO
-------------------	--------------------

Ease & Comfort

GAS ASSIST	EASY START SYSTEM
------------	-------------------

*1 Available with SMD or SMG4

SPECIFICATIONS / FEATURES P43

Integrated Control System



"SYNCRO-EYE" is a comprehensive system Suzuki has developed which "connects" various devices so that they may work together in synchronization. This innovative system will also improve the control technology of the boat by "sensing" various situations surrounding the boat and be compatible with future technologies.

Suzuki's Technology Vision



ACCESSORIES

THE ULTIMATE
OUTBOARD MOTOR

NEW SUZUKI DIAGNOSTIC SYSTEM MOBILE PLUS (SDSM+)

DF9.9B AND UP*

*Available with SMD or SMG4

You can have more fulfilling marine experiences with SDSM+.

*The SDSM+ is a free app. SMG4/SMD is required to access engine data.

3 Features of the SDSM+

1. Plan a boat trip with the forecast

- + You can make a boating plan along with referring to the weather, wind, and wave condition of a designated point.
- + The app also shows the weekly weather forecast, which will be constantly updated.

2. Inspect boat and outboard motor in advance

- + Outboard motor can be checked based on the engine data.
- + You can inspect boat and engine in advance based on the check list.

3. Acquire engine data

- + You can check the engine condition and your driving tendencies.
- + You can share engine data with your dealer, which can shorten the service time.



Apple and the Apple logo are trademarks of Apple Inc., registered in the U.S. and other countries. App Store is a service mark of Apple Inc., registered in the U.S. and other countries.

Google Play and the Google Play logo are trademarks of Google LLC.

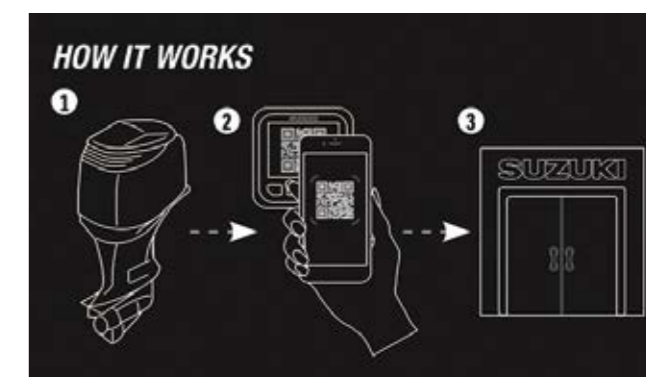
How to Get The Engine Data

1. The outboard will convert engine data into a QR code* displayed on the SMG4 or SMD.
2. Open the app and scan the QR code. The app will receive the engine data and automatically attach it to an e-mail.
3. You can then send the e-mail to your nearby dealer to shorten the maintenance time.

*DENSO WAVE owns the rights of the name and the logo of QR code.



Find out more at our Global Website



SUZUKI PRECISION CONTROL for Drive-By-Wire System

►DF350AMD/300BMD ►DF350A/325A/300B ►DF300AP/250AP ►DF200AP/175AP/150AP ►DF140BG/115BG

Suzuki's best technology lies in the Suzuki Precision Control (S.P.C.) for Drive-By-Wire System. The S.P.C enables instant, precise throttle response for greater control and accuracy.



Find out more from our video

FEATURES

- Controls up to 6 outboard motors.
- 1-action start for multi-motor boats: Motors start in order from port to starboard.
- Automatic Trim is available with SMD or SMG4.
- 1 Lever Operation : This switch allows multiple motor operation with just 1 lever.(Dual top mount only)
- Integrated Emergency Switch (Flush Mount only)

Remote Control Box

Integrated "Select" and "Throttle Only" switch (All)



Control Panel



Switch Panel for regular key



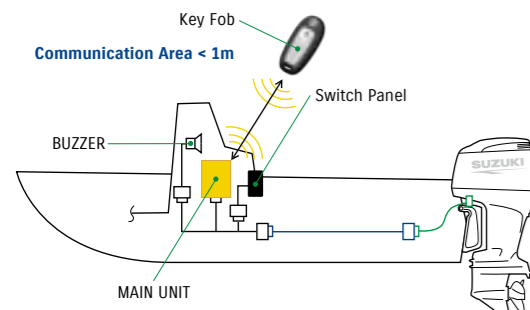
KEYLESS START SYSTEM*

►All S.P.C models and DF200A/175A/150A, DF140B/115B/100C, DF100B/90A/80A/70A

DESIGN

How to use

1. Stand nearby the console with the key fob.
2. Push START/STOP button to start engine.
3. To turn off the engine, push the button again.



Find out more by watching our videos

*Please check applicability with your local Suzuki dealer.

FEATURES

- 3 types of panels are available: Horizontal, Vertical and Separate.
- 1-push Start/Stop, and controls up to 6 engines. No ignition key necessary.



SUZUKI MULTI-FUNCTION GAUGE (SMG4)

►DF9.9B AND UP

Suzuki Multi-Function Gauge provides all performance information in one gauge. Individual elements can also be emphasized to further enhance user friendliness.

SMG4

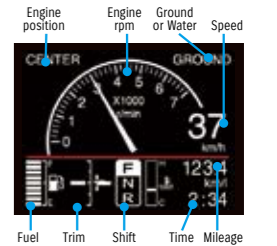


SPECIFICATIONS

- 3.5 Color Display
- Size: 105mm(W)x105mm(H)x16mm(D)
- NMEA2000 output
- Shows both digital and analogue readouts, as well as day/night mode
- Displays the QR code* for SDSM / SDSM+
- Troll Mode Function: Allows user to control troll mode (only for 2019MY ~ models adapted to troll mode)

*DENSO WAVE owns the rights of the name and the logo of QR code.

ANALOG TACHO & SPEED MODE



Troll Mode



FEATURES

Multilingual Menu



English, French, Italian, German, Spanish, Swedish, Norwegian, Finnish, Dutch, Portuguese, Danish, Russian, Japanese

Automatic Trim Function



Automatically adjusts trim angle



SUZUKI MULTI-FUNCTION DISPLAY (SMD)

►DF9.9B AND UP



KEY FEATURES

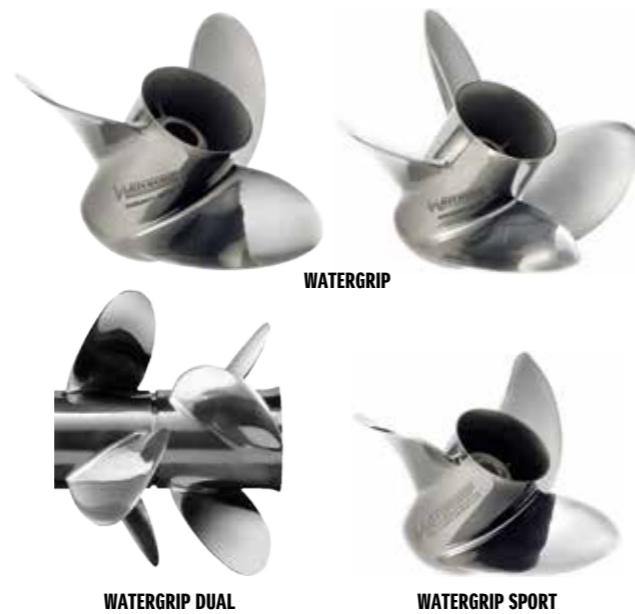
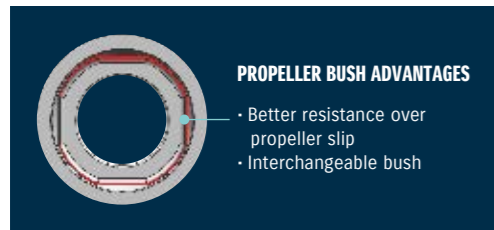
- Intuitive, easy, smooth operation with an entire multi touch screen interface. Total control at your fingertips
- Bonded all-glass LCD, sunlight viewable screen with impressive brightness, and a luxurious look
- Ease of operation with all Suzuki engine information integrated on one display
- Technologies such as TruEcho Chirp™, Accu-Fish™, RezBoost™ combined in one display to provide you the most exciting fishing experience

ACCESSORIES

WATERGRIP PROPELLER

WATERGRIP is a stainless-steel propeller series offering accurate response to your operation. With efficient conversion of engine power into propulsion, this propeller series meets our customers' demand for bigger, faster, more powerful outboards.

The WATERGRIP propeller series employs a new interchangeable and square shaped propeller bush that minimizes power loss in delivery.



MULTI-FUNCTION TILLER HANDLE

▶DF115B/100C ▶DF100B/DF70A-90A ▶DF60A/50AV/60AV ▶DF40A/50A



Main features



Tachometer* with warning indicators



Three-position angle adjustable bracket



Power trim & tilt switch* and throttle grip friction adjuster



Troll mode switch*
• Activates SUZUKI Troll Mode System and controls RPM from idling engine speed up to 1200rpm at every 50rpm.

*Tachometer, Power trim & tilt switch and Troll mode switch are not available for 90AWQH.

MAINTENANCE KITS

Suzuki provides Maintenance Kits for speedy and reliable service. Each Kit comes with all the periodic maintenance parts necessary for each model. Please ask your local Suzuki dealer for the contents of each kit and applicable models.



ECSTAR

GENUINE OIL & CHEMICAL

What is ECSTAR

ECSTAR is a global brand name of SUZUKI Genuine Oil & Chemicals.

The ULTIMATE Formulation

Suzuki Approved Genuine engine oils have all been rigorously tested and certified by Suzuki engineers. You can be confident that they'll help keep your Suzuki outboard in perfect condition, giving you maximum performance and reliability over its lifetime.

Replacement Guideline (Engine Oil & Gear Oil)

Interval	1st time	20 hours or 1 month*
	From 2nd time	100 hours or 1 year*

*whichever comes first

This guideline may vary by outboard motor model, condition of use, region, etc. Please refer to the owner's manual or ask an authorized Suzuki dealer for more information.

ECSTAR Line up for OUTBOARD MOTOR

ENGINE OIL
SEMI SYNTHETIC V7000

ENGINE OIL
MINERAL V5000

GEAR OIL
SAE90

WATER RESISTANT
GREASE



Availability may differ in some regions. Please contact your Suzuki local dealer.

Continuously evolving over the decades, Suzuki has a rich, proud history knowing no bounds.

D55

The first Suzuki Outboard, D55, was marketed.



SPECIFICATIONS

2-stroke
cylinder : 1
displacement : 98cm³
maximum output : 4.0kW (5.5PS)

DT200 Exanté

DT200 Exanté won the first "Most Innovative Products" award from the show's sponsor, the National Marine Manufacturers association (NMMA).



SPECIFICATIONS

2-stroke
cylinder : V6
displacement : 2,693cm³
maximum output : 147.1kW (200PS)

DF60

DF60 and DF70, the first Suzuki 4-stroke outboards with Electric Fuel Injection System, were marketed. DF60 and DF70 won the "NMMA Innovation Award"



SPECIFICATIONS

4-stroke
cylinder : 4
displacement : 1,298cm³
maximum output : 44.1kW (60PS)

DF300

DF300 is the industry's first 220.7kW(300PS) V6 4-stroke outboard, and the first outboard to utilize an electronic remote control. DF300 is the winner of the "NMMA 2006 Innovation Award".



SPECIFICATIONS

4-stroke
cylinder : V6
displacement : 4,028cm³
maximum output : 220.7kW (300PS)

DF350A

Suzuki introduces DF350A 257.4kW(350PS) V6 4-stroke outboard. New Flagship Model has exclusive features such as the innovative Suzuki Dual Prop System. DF350A is the winner of the "NMMA 2017 Innovation Award".



SPECIFICATIONS

4-stroke
cylinder : V6
displacement : 4,390cm³
maximum output : 257.4kW (350PS)

100th Anniversary of Suzuki's Long History

With the rich history of 100 years, and the experience and knowledge of automobile, motorcycle, and outboard motor development, Suzuki has come to provide technology and service unprecedented in the marine business. Combined with the "Yamaika" spirit, Suzuki has grown to create innovation and satisfaction to customers around the world.

1965

1977

1987

1994

1997

2003

2006

2014

2017

2020

DT5

The DT5 was released as a compact 3.7kW (5PS) outboard motor. Mounted 2-cylinder engine on, while 1-cylinder had been used for conventional 5PS outboard motor at that time, it delivered powerful propulsion.



SPECIFICATIONS

2-stroke
cylinder : 2
displacement : 113cm³
maximum output : 3.7kW (5PS)

DF9.9

Suzuki introduced DF9.9 and DF15, their first 4-stroke outboards.



SPECIFICATIONS

4-stroke
cylinder : 2
displacement : 302cm³
maximum output : 7.3kW (9.9PS)

DF250

DF250 is the industry's first 184kW(250PS) 4-stroke outboard. DF200/225/250, the first Suzuki 4-stroke V6 outboards were revealed. DF250 won the "NMMA Innovation Award" at the 2003 International Miami Boat Show.



SPECIFICATIONS

4-stroke
cylinder : V6
displacement : 3,614cm³
maximum output : 184.0kW (250PS)

DF200AP

DF200A/DF200AP are 4-stroke outboard motors based on in-line 4-cylinder engine of the DF175. In addition, DF200AP has adopted the Suzuki Selective Rotation, the world's first technology to integrate both regular and counter rotations of a propeller. The control system utilizes electronic throttle and shift systems.



SPECIFICATIONS

4-stroke
cylinder : In-line4
displacement : 2,867cm³
maximum output : 147.1kW(200PS)

DF90AWQH

DF90AWQH was developed to meet the demand of commercial fishing. It is the first Cargo series model which is Suzuki's first commercial series.



SPECIFICATIONS

4-stroke
cylinder : In-line4
displacement : 1,502cm³
maximum output : 66.2kW(90PS)

DF140BG

DF140BG is the world's first drive by wire model in 4-stroke 84.6kW(140PS). It inherits the reliability & fuel efficiency of DF140A, and cutting-edge technologies realize higher durability & performance.



SPECIFICATIONS

4-stroke
cylinder : In-line4
displacement : 2,045cm³
maximum output : 84.6kW(140PS)

SPECIFICATIONS & FEATURES

SPECIFICATIONS

	100B	90A	80A	70A	90ATH	70ATH		60A/50A/40A	60ATH	50ATH/40ATH	60AQH/40AQH	60AV/50AV	60AVTH/50AVTH	30AT/25AT	30ATH/25ATH	30AR	30AQH	30A/25A		
Starting System	Electric				Electric		Starting System	Electric							Electric/Manual				Electric*5	Manual
Recommended Transom Height (mm)	L: 508 X: 635				L: 508 X: 635		Recommended Transom Height (mm)	S: 381 L: 508 X: 635*3	L: 508 X: 635*3					S: 381 L: 508	S: 381*4 L: 508	S: 381 L: 508	L: 508	S: 381	S: 381 L: 508	
Weight (kg)*1	L: 157 X: 161	L: 156 X: 160			L: 162 X: 166		Weight (kg)*1	S: 102 L: 104 X: 107*3	L: 110 X: 113*3	L: 108 X: 111*3	L: 115 X: 118*3	L: 121 X: 124*3	S: 71 L: 72	S: 73*4 L: 74	S: 63 L: 64	L: 70	S: 65	S: 62 L: 63		
Valve Train	DOHC 16-Valve				DOHC 16-Valve		Valve Train	DOHC 12-Valve							OHC					
Valve Train Drive	Chain				Chain		Valve Train Drive	Chain							Belt					
Displacement (cm ³)	1,502				1,502		Displacement (cm ³)	941							490					
Maximum Output (kW)	73.6	66.2	58.8	51.5	66.2	51.5	Maximum Output (kW)	DF60A: 44.1 DF50A: 36.8 DF40A: 29.4	44.1	DF50A: 36.8 DF40A: 29.4	DF60A: 44.1 DF50A: 36.8 DF40A: 29.4		DF30A: 22.1 DF25A: 18.4							
Bore and Stroke (mm)	75 × 85				75 × 85		Bore and Stroke (mm)	72.5 × 76							60.4 × 57					
Operation Range (rpm)	5,700-6,300			5,000-6,000		5,300-6,300	5,000-6,000	Operation Range (rpm)	DF60A/50A: 5,300-6,300 DF40A: 5,000-6,000	5,300- 6,300	DF50A: 5,300-6,300 DF40A: 5,000-6,000	DF60A/50A: 5,300-6,300 DF40A: 5,000-6,000		DF30A: 5,300-6,300 DF25A: 5,000-6,000						
Fuel Delivery System	Electronic Fuel Injection				Electronic Fuel Injection		Fuel Delivery System	Electronic Fuel Injection							Battery-less Electronic Fuel Injection					
Oil Pan Capacity (L)	4.3				4.3		Oil Pan Capacity (L)	2.7							1.5					
Alternator	12V 27A				12V 27A		Alternator	12V 19A							12V 14A					
Trim Type	Power Trim and Tilt				Power Trim and Tilt		Trim Type	Power Trim and Tilt		Manual Trim & Gas Assisted Tilt	Power Trim and Tilt		Power Trim and Tilt	Manual Trim and Tilt	Gas Assisted Tilt	Manual Trim and Tilt				
Gear Ratio	2.59:1				2.59:1		Gear Ratio	2.27:1		2.42:1		2.09:1								
Control System	Mechanical				Mechanical		Control System	Mechanical							Mechanical					
Recommended Fuel*2	RON91/AKI87				RON91/AKI87		Recommended Fuel*2	RON91/AKI87							RON91/AKI87					
Propeller Selection(pitch)	13"-25"(R/R)				13"-25"(R/R)		Propeller Selection(pitch)	9"-17"							9"-15"					

All propellers are the 3-blade type. please inquire at your local dealer for details of the propeller.

*1: Dry Weight: Including battery cable, not including propeller and engine oil. *2: RON: Research method (minimum octane rating) AKI: (R+M)/2 method(minimum pump octane rating), (Only North America)

*3: DF60A only. *4: DF25ATH only. *5: DF25AE only.

FEATURES

●=Standard Equip. ○=Optional Equip

	100B	90A	80A	70A	90ATH	70ATH		60A/50A/40A	60ATH	50ATH/40ATH	60AQH/40AQH	60AV/50AV	60AVTH/50AVTH	30AT/25AT	30ATH/25ATH	30AR	30AQH	30A/25A
BODY COLOR	Black White	● ●	● ●	● ●	● ●	● ●	BODY COLOR	Black White	● ●	● ●	● ●	● ●	● ●	● ●	● ●	● ●	● ●	● ●
SUZUKI DUAL LOUVER SYSTEM	●	●	●	●	●	●	SUZUKI DUAL LOUVER SYSTEM	●	●	●	●	●	●	●	●	●	●	●
SELF-ADJUSTING TIMING CHAIN	●	●	●	●	●	●	SELF-ADJUSTING TIMING CHAIN	●	●	●	●	●	●	●	●	●	●	●
SUZUKI ANTI-CORROSION SYSTEM	●	●	●	●	●	●	SUZUKI ANTI-CORROSION SYSTEM	●	●	●	●	●	●	●	●	●	●	●
OVER-REV. LIMITER	●	●	●	●	●	●	OVER-REV. LIMITER	●	●	●	●	●	●	●	●	●	●	●
TILT LIMIT SYSTEM	●	●	●	●	●	●	TILT LIMIT SYSTEM	●*3	●	●	●	●	●	●	●	●	●	●
WATER DETECTING SYSTEM	●	●	●	●	●	●	WATER DETECTING SYSTEM	●	●	●	●	●	●	●	●	●	●	●
FRESH WATER FLUSHING SYSTEM	●	●	●	●	●	●	FRESH WATER FLUSHING SYSTEM	●	●	●	●	●	●	●	●	●	●	●
DUAL WATER INLET	●	●	●	●	●	●	DUAL WATER INLET	●	●	●	●	●	●	●	●	●	●	●
SUB WATER INLET	●	●	●	●	●	●	SUB WATER INLET	●	●	●	●	●	●	●	●	●	●	●
NEW KEYLESS START SYSTEM	○	○	○	○	○	○	NEW KEYLESS START SYSTEM	○	○	○	○	○	○	○	○	○	○	○
SDSM*1	○	○	○	○	○	○	SDSM*1	○	○	○	○	○	○	○	○	○	○	○
OFFSET DRIVESHAFT	●	●	●	●	●	●	OFFSET DRIVESHAFT	●	●	●	●	●	●	●	●	●	●	●
2-STAGE GEAR REDUCTION	●	●	●	●	●	●	2-STAGE GEAR REDUCTION	●	●	●	●	●	●	●	●	●	●	●
HIGH ENERGY ROTATION	●	●	●	●	●	●	HIGH ENERGY ROTATION	●	●	●	●	●	●	●	●	●	●	●
SUZUKI DUAL PROP SYSTEM	●	●	●	●	●	●	SUZUKI DUAL PROP SYSTEM	●	●	●	●	●	●	●	●	●	●	●
VARIABLE VALVE TIMING SYSTEM	●	●	●	●	●	●	VARIABLE VALVE TIMING SYSTEM	●	●	●	●	●	●	●	●	●	●	●
MULTI-STAGE INDUCTION	●	●	●	●	●	●	MULTI-STAGE INDUCTION	●	●	●	●	●	●	●	●	●	●	●
SUZUKI SELECTIVE ROTATION	●	●	●	●	●	●	SUZUKI SELECTIVE ROTATION	●	●	●	●	●	●	●	●	●	●	●
SUZUKI PRECISION CONTROL	●	●	●	●	●	●	SUZUKI PRECISION CONTROL	●	●	●	●	●	●	●	●	●	●	●
NOISE REDUCTION	●	●	●	●	●	●	NOISE REDUCTION	●	●	●	●	●	●	●	●	●	●	●
OVERHEAD TANK	●	●	●	●	●	●	OVERHEAD TANK	●	●	●	●	●	●	●	●	●	●	●
AUTOMATIC TRIM*4	●	●	●	●	●	●	AUTOMATIC TRIM*4	●	●	●	●	●	●	●	●	●	●	●
GAS ASSIST SYSTEM	●	●	●	●	●	●	GAS ASSIST SYSTEM	●	●	●	●	●	●	●	●	●	●	●
THREE-WAY STORAGE	●	●	●	●	●	●	THREE-WAY STORAGE	●	●	●	●	●	●	●	●	●	●	●
SUZUKI TROLL MODE SYSTEM*2	○	○	○	○	○	○	SUZUKI TROLL MODE SYSTEM*2	○	○	○	○	○	○	○	○	○	○	○
SUZUKI EASY START SYSTEM	●	●	●	●	●	●	SUZUKI EASY START SYSTEM	●	●	●	●	●	●	●	●	●	●	●
LEAN BURN CONTROL SYSTEM	●	●	●	●	●	●	LEAN BURN CONTROL SYSTEM	●	●	●	●	●	●	●	●	●	●	●
DUAL INJECTOR	●	●	●	●	●	●	DUAL INJECTOR	●	●	●	●	●	●	●	●	●	●	●
O ₂ SENSOR FEEDBACK CONTROL SYSTEM	●	●	●	●	●	●	O ₂ SENSOR FEEDBACK CONTROL SYSTEM	●	●	●	●	●	●	●	●	●	●	●
SHALLOW WATER DRIVE	●	●	●	●	●	●	SHALLOW WATER DRIVE	●	●	●	●	●	●	●	●	●	●	●

*1: available by using with SMD/SMG4 *2: available by using with SMD/SMG4/Troll Mode Switch Panel *3: DF60A only. *4: available by using with SMG4/SMD, and New S.P.C

SPECIFICATIONS & FEATURES

SPECIFICATIONS

	20AT/ 15AT/9.9BT	20ATH/ 15ATH/9.9BTH	20AR/ 15AR/9.9BR	20A/15A/ 9.9B	8AR	9.9A/8A	6A/5A/4A	2.5		250 (Cargo)	225 (Cargo)	200 (Cargo)	250W (Cargo)	90AWQH (Cargo)	
Starting System	Electric/Manual		Electric/Manual		Electric/Manual	Manual	Manual	Manual	Starting System	Electric			Electric		
Recommended Transom Height (mm)	S: 381*3 L: 508 X: 635**4	S: 381*5 L: 508 X: 635**5	S: 381 L: 508		L: 508	S: 381 L: 508	S: 381 L: 508	S: 381 L: 508	Recommended Transom Height (mm)	X: 635 XX: 762	X: 635 XX: 762	L: 508 X: 635 XX: 762	X: 635 XX: 762	L: 508 X: 635	
Weight (kg)*1	S: 52.5*3 L: 54.5 X: 57**4	S: 53.5*5 L: 55.5 X: 58**5	S: 47 L: 48	S: 48 L: 49	S: 44 L: 45	L: 43.5	S: 39 L: 41.5	S: 24 L: 25	S: 13.5 L: 14	Weight (kg)*1	X: 275 XX: 284	X: 275 XX: 284	L: 264 X: 275 XX: 284	X: 279 XX: 288	L: 158 X: 162
Valve Train	OHC		OHC		OHC		OHV	OHV	Valve Train	DOHC 24-Valve			DOHC 24-Valve	DOHC 16-Valve	
Valve Train Drive	Belt		Belt		Belt		Belt	Belt	Valve Train Drive	Chain			Chain		
Displacement (cm³)	327		327		208		138	68	Displacement (cm³)	3,614			3,614	1,502	
Maximum Output (kW)	DF20A: 14.7 DF15A: 11.0 DF9.9B: 7.3	DF20A: 14.7 DF15A: 11.0 DF9.9B: 7.3	DF20A: 14.7 DF15A: 11.0 DF9.9B: 7.3	DF20A: 14.7 DF15A: 11.0 DF9.9B: 7.3	DF9.9A: 7.3 DF8A: 5.9		DF6A: 4.4 DF5A: 3.7 DF4A: 2.9	1.8	Maximum Output (kW)	183.9	165.5	147.1	183.9	66.2	
Bore and Stroke (mm)	60.4 × 57		60.4 × 57		51 × 51		60.4 × 48	48 × 38	Bore and Stroke (mm)	95 × 85			95 × 85	75 × 85	
Operation Range (rpm)	DF20A: 5,300-6,300 DF15A: 5,000-6,000 DF9.9B: 4,700-5,700	DF20A: 5,300-6,300 DF15A: 5,000-6,000 DF9.9B: 4,700-5,700	DF20A: 5,300-6,300 DF15A: 5,000-6,000 DF9.9B: 4,700-5,700	DF20A: 5,300-6,300 DF15A: 5,000-6,000 DF9.9B: 4,700-5,700	DF9.9A: 5,200-6,200 DF8A: 4,700-5,700		DF6A: 4,750-5,750 DF5A: 4,500-5,500 DF4A: 4,000-5,000	5,250-5,750	Operation Range (rpm)	5,500-6,100	5,000-6,000		5,500-6,100	5,300-6,300	
Fuel Delivery System	Battery-less Electronic Fuel Injection		Battery-less Electronic Fuel Injection		Carburetor		Carburetor	Carburetor	Fuel Delivery System	Electronic Fuel Injection			Electronic Fuel Injection		
Oil Pan Capacity (L)	1.0		1.0		0.8		0.7	0.38	Oil Pan Capacity (L)	8.0			8.0	4.3	
Alternator	12V 12A		12V 12A	12V 6A	12V 10A	12V 6A	12V 5A (op.)	-	Alternator	12V 54A			12V 54A	12V 27A	
Trim Type	Power Tilt		Manual Trim and Tilt		Manual Trim and Tilt		Manual Trim and Tilt	Manual Trim and Tilt	Trim Type	Power Trim and Tilt			Power Trim and Tilt	Gas Assisted Tilt	
Gear Ratio	2.08:1		2.08:1		2.08:1		1.92:1	2.15:1	Gear Ratio	2.29:1			2.08:1	2.59:1	
Control System	Mechanical		Mechanical		Mechanical		Mechanical	Mechanical	Control System	Mechanical			Mechanical		
Recommended Fuel**2	RON91/AKI87		RON91/AKI87		RON91/AKI87		RON91/AKI87	RON91/AKI87	Recommended Fuel**2	RON91/AKI87			RON91/AKI87		
Propeller Selection(pitch)	7"-12"		7"-12"		7"-11"		6"-7"	5.3/8"	Propeller Selection(pitch)	15"-27.5"(R/R) 17"-26"(C/R)			15"-27.5"(R/R) 17"-26"(C/R)	13"-25"(R/R)	

All propellers are the 3-blade type. please inquire at your local dealer for details of the propeller.

*1: Dry Weight: Including battery cable, not including propeller and engine oil. *2: RON: Research method (minimum octane rating) AKI: (R+M)/2 method(minimum pump octane rating), (Only North America)

*3: DF20AT/DF9.9BT only. *4: DF9.9BT only. *5: DF9.9BTH only.

FEATURES

●=Standard Equip. ○=Optional Equip.

	20AT/ 15AT/9.9BT	20ATH/ 15ATH/9.9BTH	20AR/ 15AR/9.9BR	20A/15A/ 9.9B	8AR	9.9A/8A	6A/5A/4A	2.5		250 (Cargo)	225 (Cargo)	200 (Cargo)	250W (Cargo)	90AWQH (Cargo)
BODY COLOR	Black White	● ●*3	● ●*4	● ●	● ●	● ●	● ●*5	● ●	BODY COLOR	Black White	● ●	● ●	● ●	● ●
SUZUKI DUAL LOUVER SYSTEM									SUZUKI DUAL LOUVER SYSTEM					
SELF-ADJUSTING TIMING CHAIN									SELF-ADJUSTING TIMING CHAIN	●	●	●	●	●
SUZUKI ANTI-CORROSION SYSTEM									SUZUKI ANTI-CORROSION SYSTEM	●	●	●	●	●
OVER-REV. LIMITER									OVER-REV. LIMITER	●	●	●	●	●
TILT LIMIT SYSTEM									TILT LIMIT SYSTEM	●	●	●	●	●
WATER DETECTING SYSTEM									WATER DETECTING SYSTEM	●	●	●	●	●
FRESH WATER FLUSHING SYSTEM									FRESH WATER FLUSHING SYSTEM	●	●	●	●	●
DUAL WATER INLET									DUAL WATER INLET				●	
SUB WATER INLET									SUB WATER INLET					○
NEW KEYLESS START SYSTEM									NEW KEYLESS START SYSTEM					
SDSM**1		○	○	○	○				SDSM**1	○	○	○	○	○
OFFSET DRIVESHAFT									OFFSET DRIVESHAFT	●	●	●	●	●
2-STAGE GEAR REDUCTION									2-STAGE GEAR REDUCTION	●	●	●	●	●
HIGH ENERGY ROTATION									HIGH ENERGY ROTATION					
SUZUKI DUAL PROP SYSTEM									SUZUKI DUAL PROP SYSTEM					
VARIABLE VALVE TIMING SYSTEM									VARIABLE VALVE TIMING SYSTEM	●			●	
MULTI-STAGE INDUCTION									MULTI-STAGE INDUCTION	●	●		●	
SUZUKI SELECTIVE ROTATION									SUZUKI SELECTIVE ROTATION					
SUZUKI PRECISION CONTROL									SUZUKI PRECISION CONTROL					
NOISE REDUCTION									NOISE REDUCTION					
OVERHEAD TANK									OVERHEAD TANK					
AUTOMATIC TRIM**6									AUTOMATIC TRIM**6					
GAS ASSIST SYSTEM									GAS ASSIST SYSTEM					●
THREE-WAY STORAGE									THREE-WAY STORAGE					
SUZUKI TROLL MODE SYSTEM**2									SUZUKI TROLL MODE SYSTEM**2					○
SUZUKI EASY START SYSTEM									SUZUKI EASY START SYSTEM					●
LEAN BURN CONTROL SYSTEM									LEAN BURN CONTROL SYSTEM					
DUAL INJECTOR									DUAL INJECTOR					
O ₂ SENSOR FEEDBACK CONTROL SYSTEM									O ₂ SENSOR FEEDBACK CONTROL SYSTEM					
SHALLOW WATER DRIVE									SHALLOW WATER DRIVE					

*1: available by using with SMD/SMG4 *2: available by using with SMD/SMG4/Troll Mode Switch Panel *3: DF20AT/9.9BT only. *4: DF20ATH/9.9BTH only. *5: DF6A only. *6: available by using with SMG4/SMD, and S.P.C



Please read your Owner's Manual carefully. Remember, boating and alcohol or other drugs don't mix. Always wear a personal flotation device when boating. Please operate your outboard safely and responsibly.

Suzuki encourages you to operate your boat safely and with respect for the marine environment.

Specifications, appearances, equipment, colors, materials and other items of "SUZUKI" products shown in this catalogue are subject to change by manufacturers at any time without notice and they may vary depending on local conditions or requirements. Some models are not available in some territories. Each model might be discontinued without notice. Please enquire at your local dealer for details of any such changes. Actual body color might differ from the colors in this brochure.



SUZUKI MOTOR CORPORATION
300 TAKATSUKA-CHO, MINAMI-KU, HAMAMATSU-SHI, SHIZUOKA 432-8611 JAPAN
www.globalsuzuki.com

2023 OBM GENERAL CATALOG ENGLISH
99999-C1023-001
Printed in Japan 202212